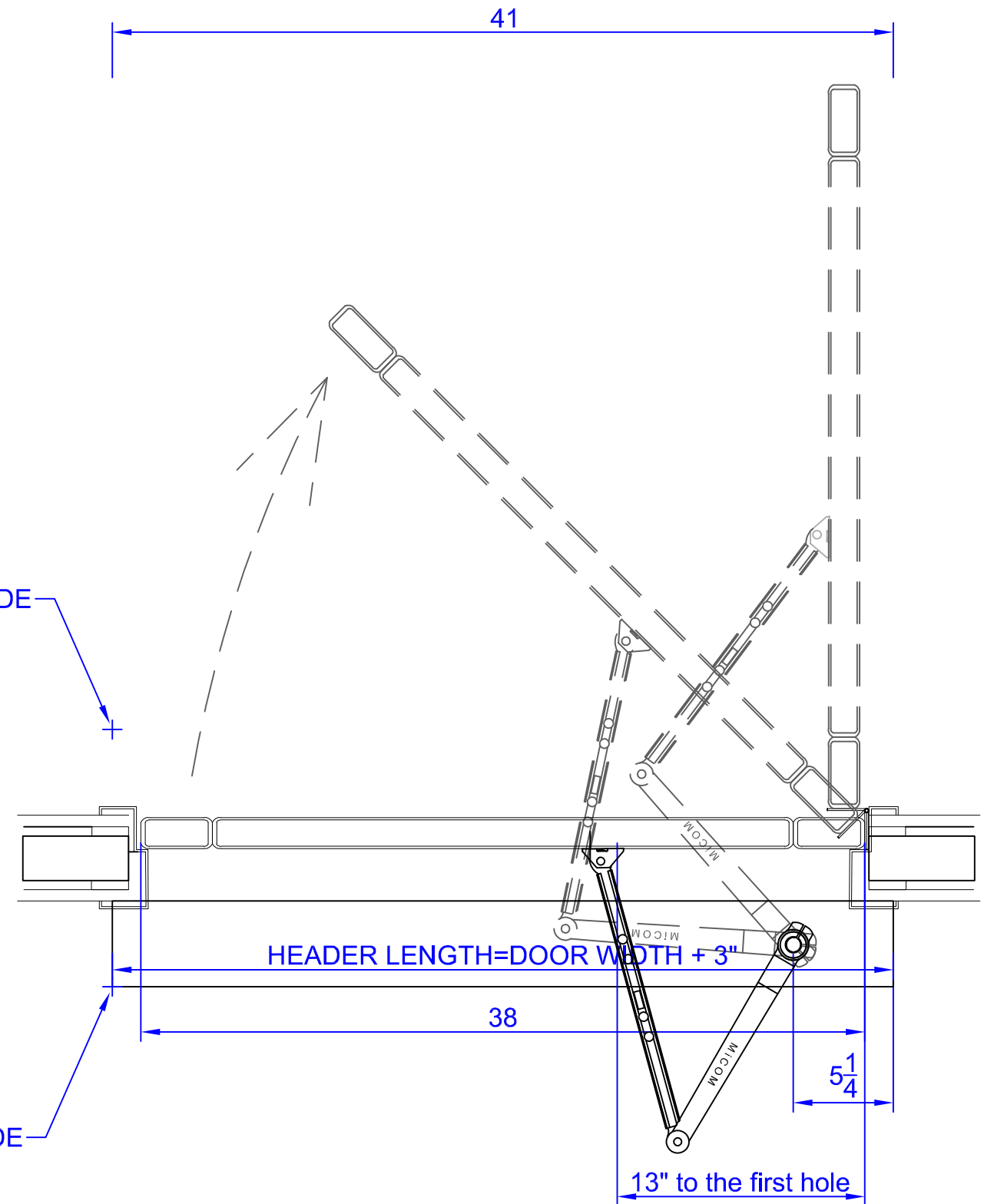
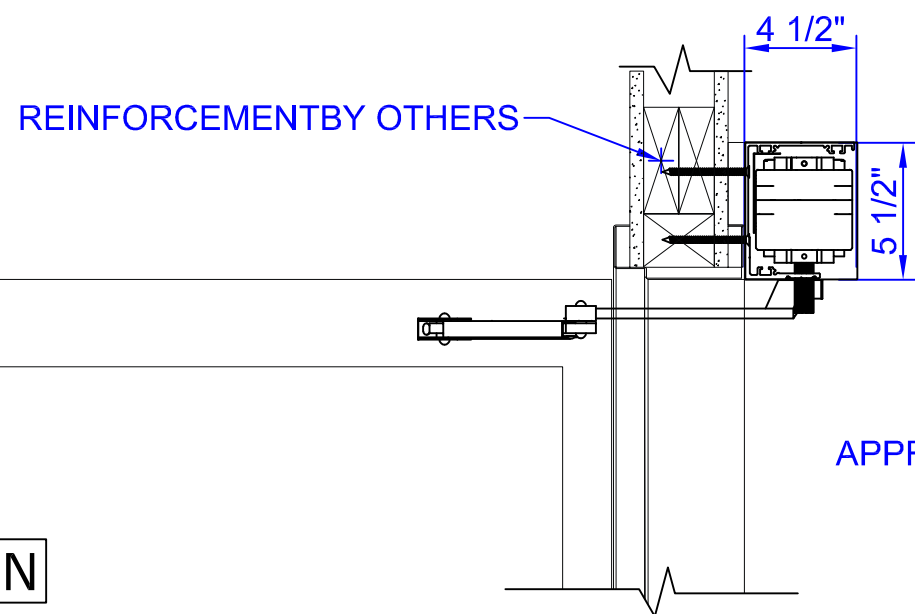


FRONT VIEW



TOP VIEW



VERTICAL SECTION

SWING SIDE

APPROACH SIDE



MICOM Americas Inc.

220 Viceroy Road, Vaughan, ON
 L4K 3C2 Canada / UNIT 15
 Tel : +1 905 851 8688
 www.micomamericas.ca

CLIENT :

PROJECT :

DRAWING TITLE

RIGHT HAND PUSH

Notes:

ALL DIMENSIONS ARE IN INCH, UNLESS OTHERWISE SPECIFIED

Architect

REVISIONS

REV	DATE	DESCRIPTION	CHKD	APP.

SCALE
AS NOTED

DATE

DRAWN BY
MICOM

CHECKED BY

APPROVED BY

SECTION
RHPUSH

SHEET NO.
04