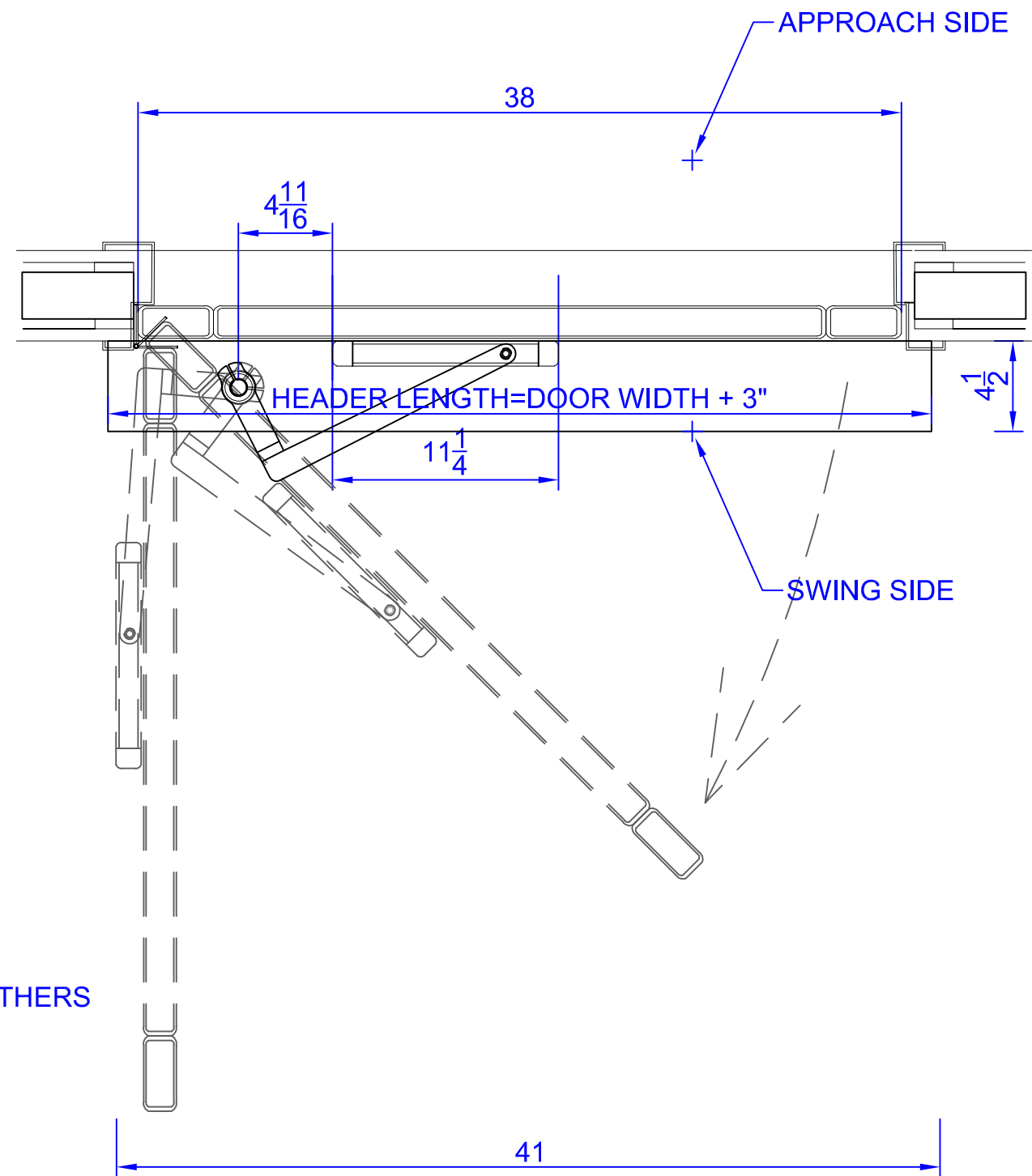
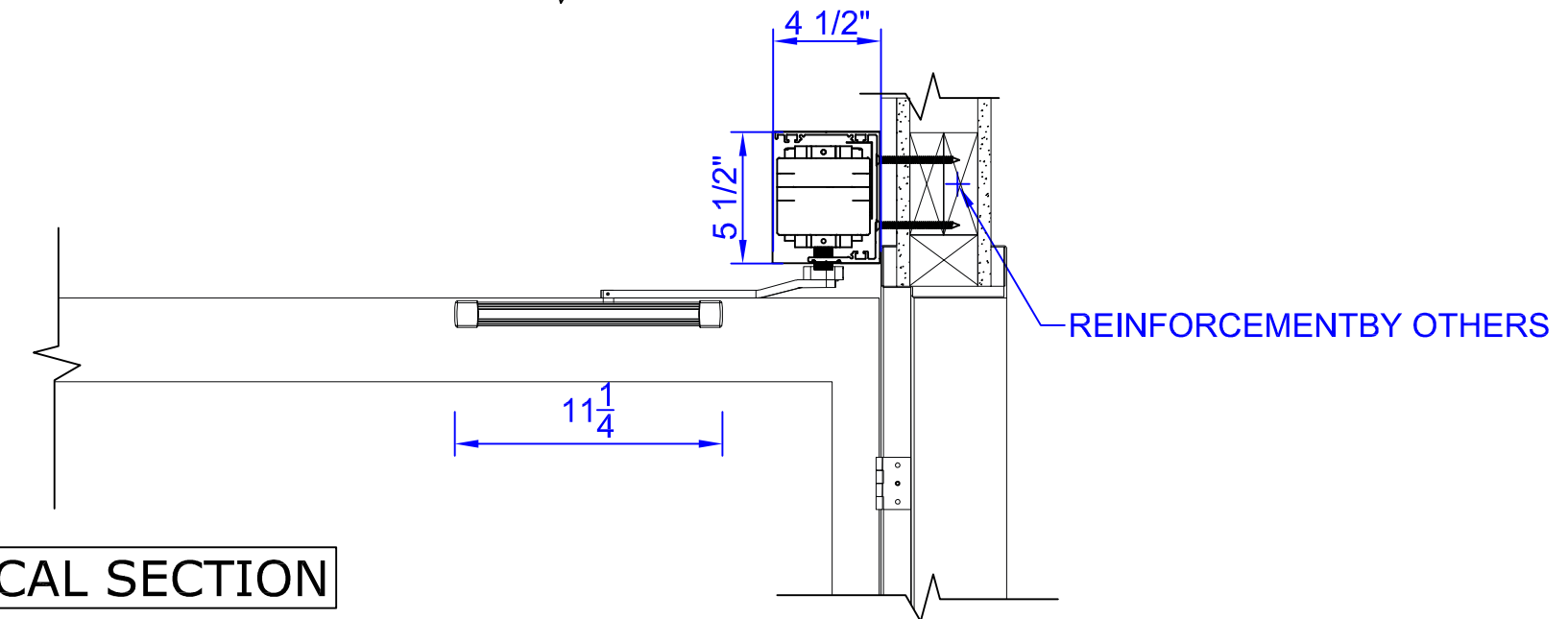


FRONT VIEW



TOP VIEW



VERTICAL SECTION



**MICOM Americas Inc.**  
 220 Viceroy Road, Vaughan, ON  
 L4K 3C2 Canada / UNIT 15  
 Tel : +1 905 851 8688  
 www.micomamericas.ca

CLIENT: \_\_\_\_\_  
 PROJECT: \_\_\_\_\_

DRAWING TITLE  
**RIGHT HAND PULL**

Notes:  
 ALL DIMENSIONS ARE IN INCH, UNLESS OTHERWISE SPECIFIED

Architect				
REVISIONS				
REV	DATE	DESCRIPTION	CHKD	APP.

SCALE AS NOTED	DATE	DRAWN BY MICOM	CHECKED BY	APPROVED BY
SECTION. RHPULL				SHEET NO. 01