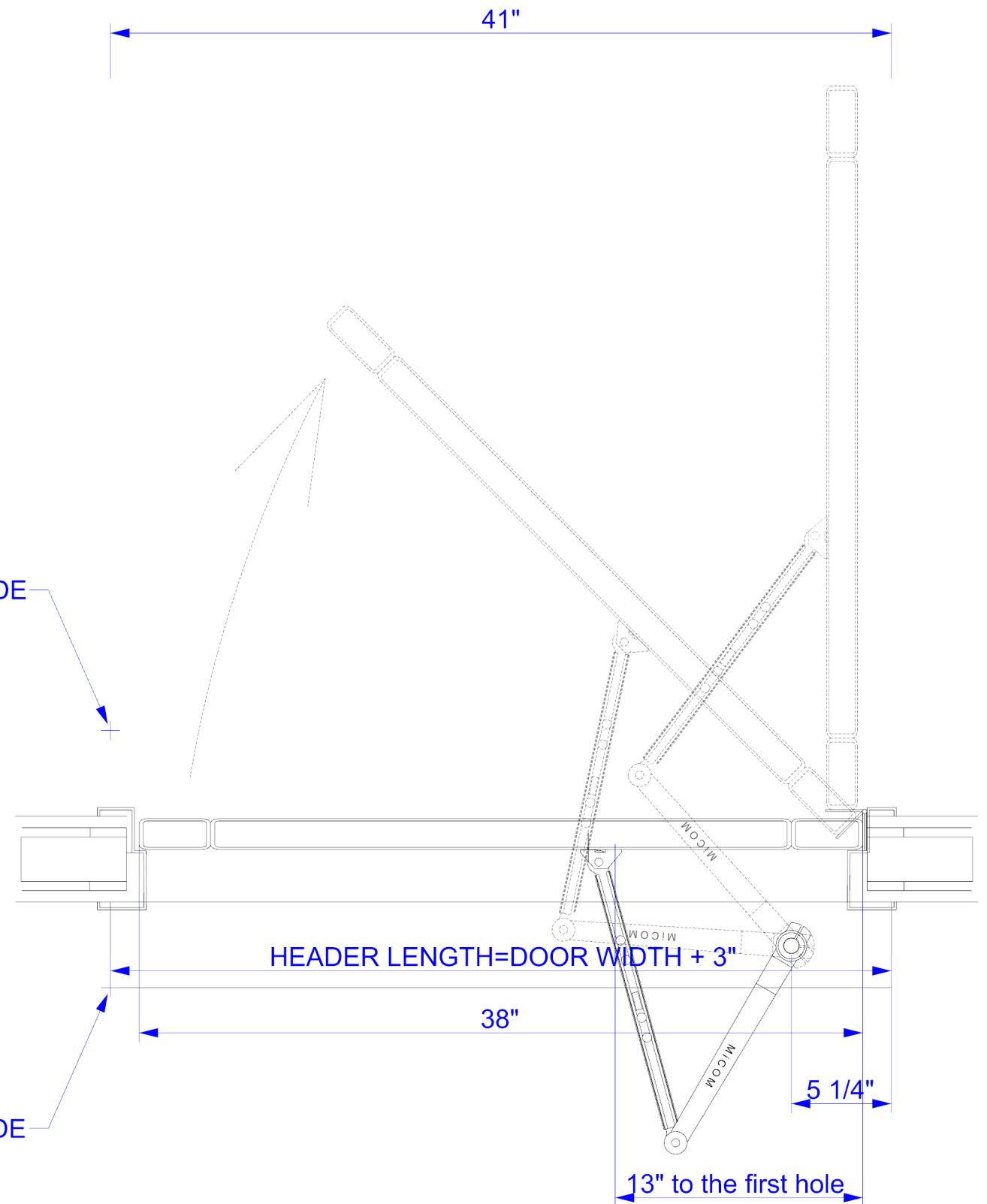
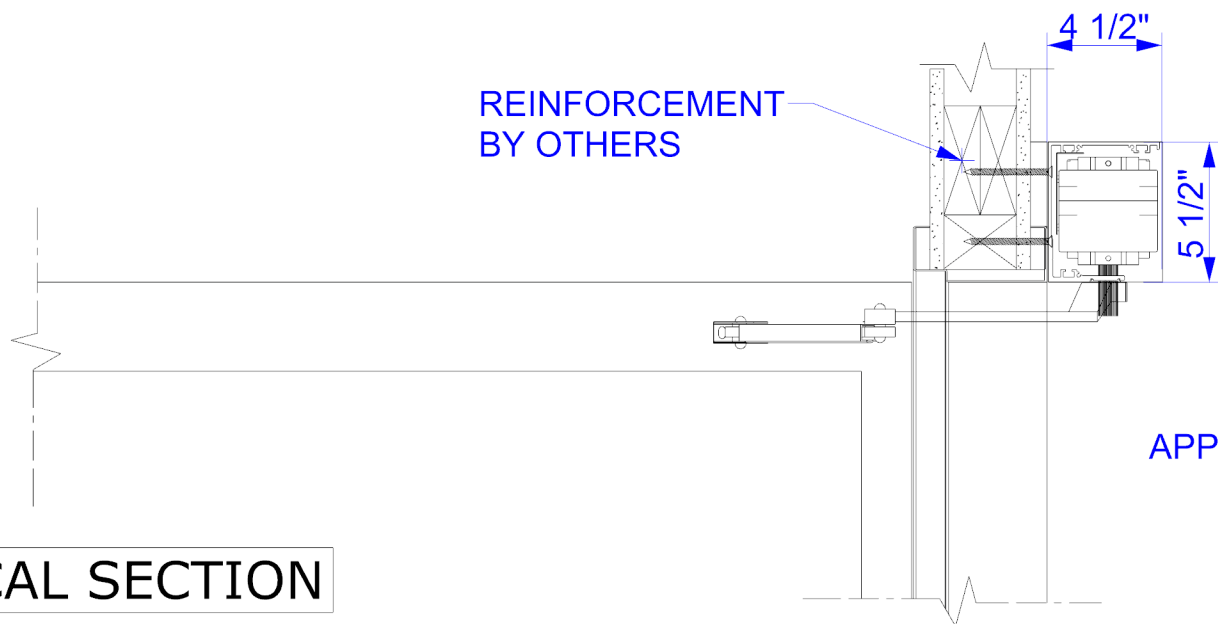


FRONT VIEW



TOP VIEW



VERTICAL SECTION

SWING SIDE

APPROACH SIDE

REINFORCEMENT BY OTHERS

HEADER LENGTH=DOOR WIDTH + 3"



MICOM Americas Inc.

240 Viceroy Road, Vaughan, ON
L4K 3N9, Toronto, Canada
Tel : +1 905 851 8688
www.micomamericas.ca

CLIENT :

PROJECT :

DRAWING TITLE

RIGHT HAND PUSH

Notes:

ALL DIMENSIONS ARE IN INCH, UNLESS OTHERWISE SPECIFIED.

Architect

REVISIONS

REV	DATE	DESCRIPTION	CHKD	APP.
03	01.31.18	FOR APPROVAL		
04	02.12.18	FOR APPROVAL		
05	04.16.18	FOR APPROVAL		

SCALE AS NOTED	DATE 04.16.18	DRAWN BY M.K	CHECKED BY	APPROVED BY
-------------------	------------------	-----------------	------------	-------------

SECTION RHPUSH	SHEET NO. 04
-------------------	-----------------