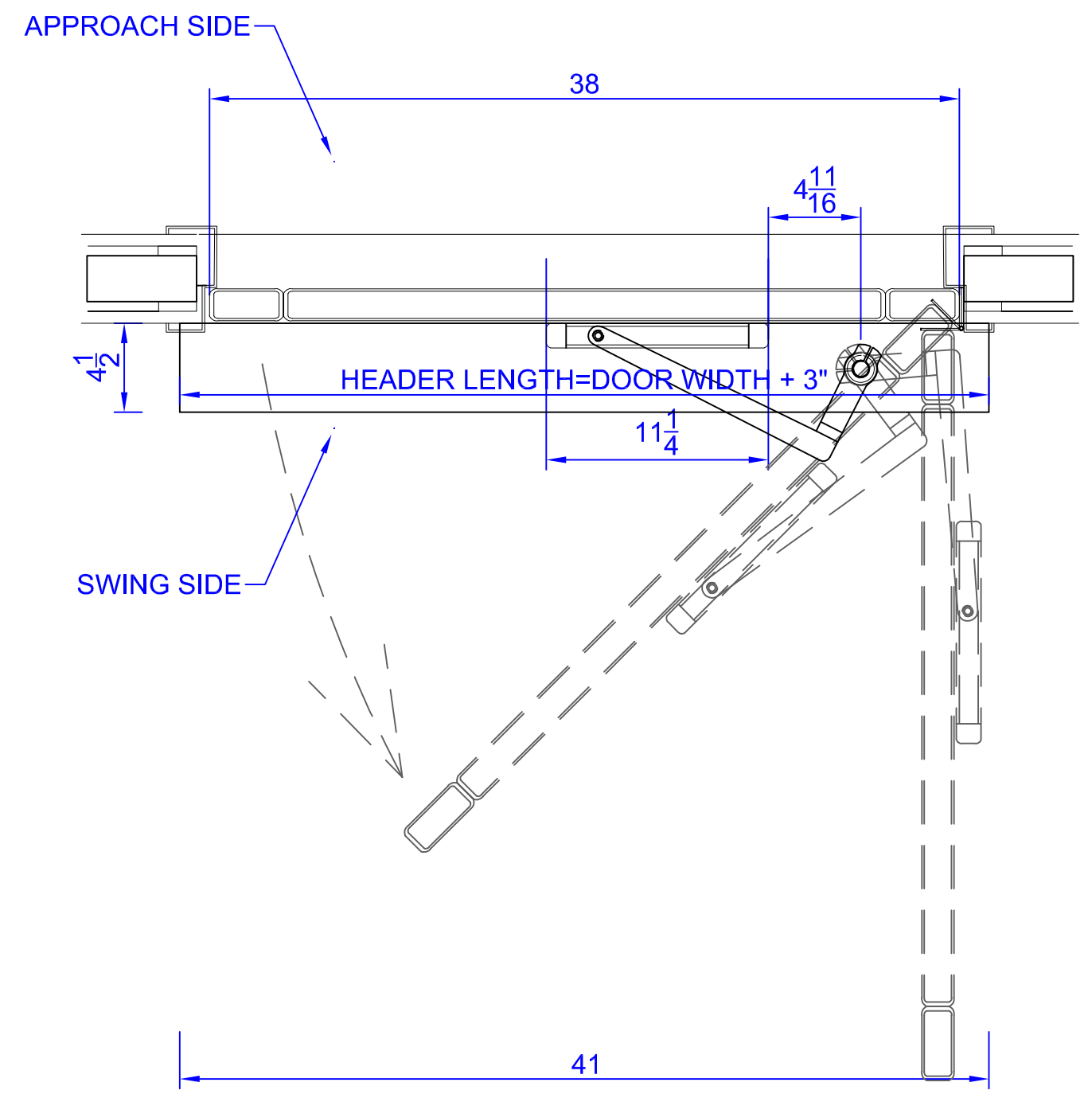
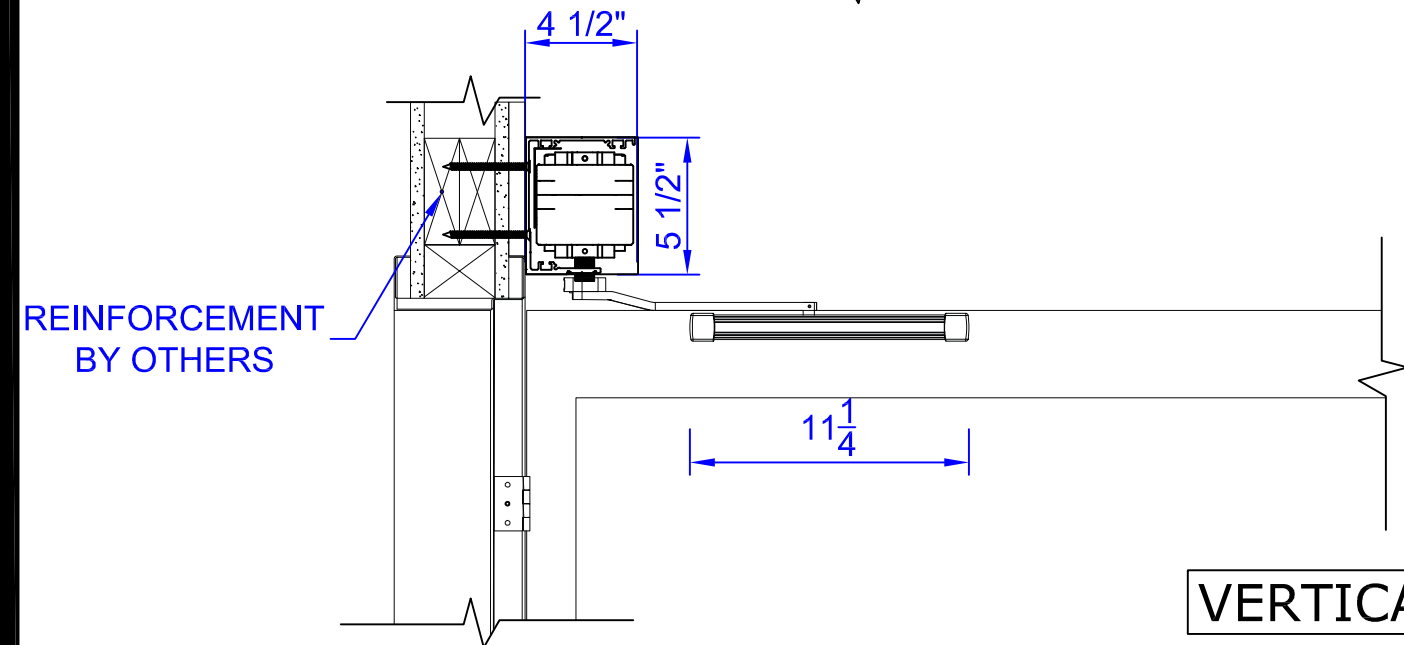


FRONT VIEW



TOP VIEW



VERTICAL SECTION



MICOM Americas Inc.
 220 Viceroy Road, Vaughan, ON
 L4K 3C2 Canada / UNIT 15
 Tel : +1 905 851 8688
 www.micomamericas.ca

CLIENT :
 PROJECT :

DRAWING TITLE
LEFT HAND PULL

Notes:
 ALL DIMENSIONS ARE IN INCH, UNLESS OTHERWISE SPECIFIED

Architect				
REVISIONS				
REV	DATE	DESCRIPTION	CHKD	APP.

SCALE AS NOTED	DATE	DRAWN BY MICOM	CHECKED BY	APPROVED BY
SECTION. LHPULL				SHEET NO. 02