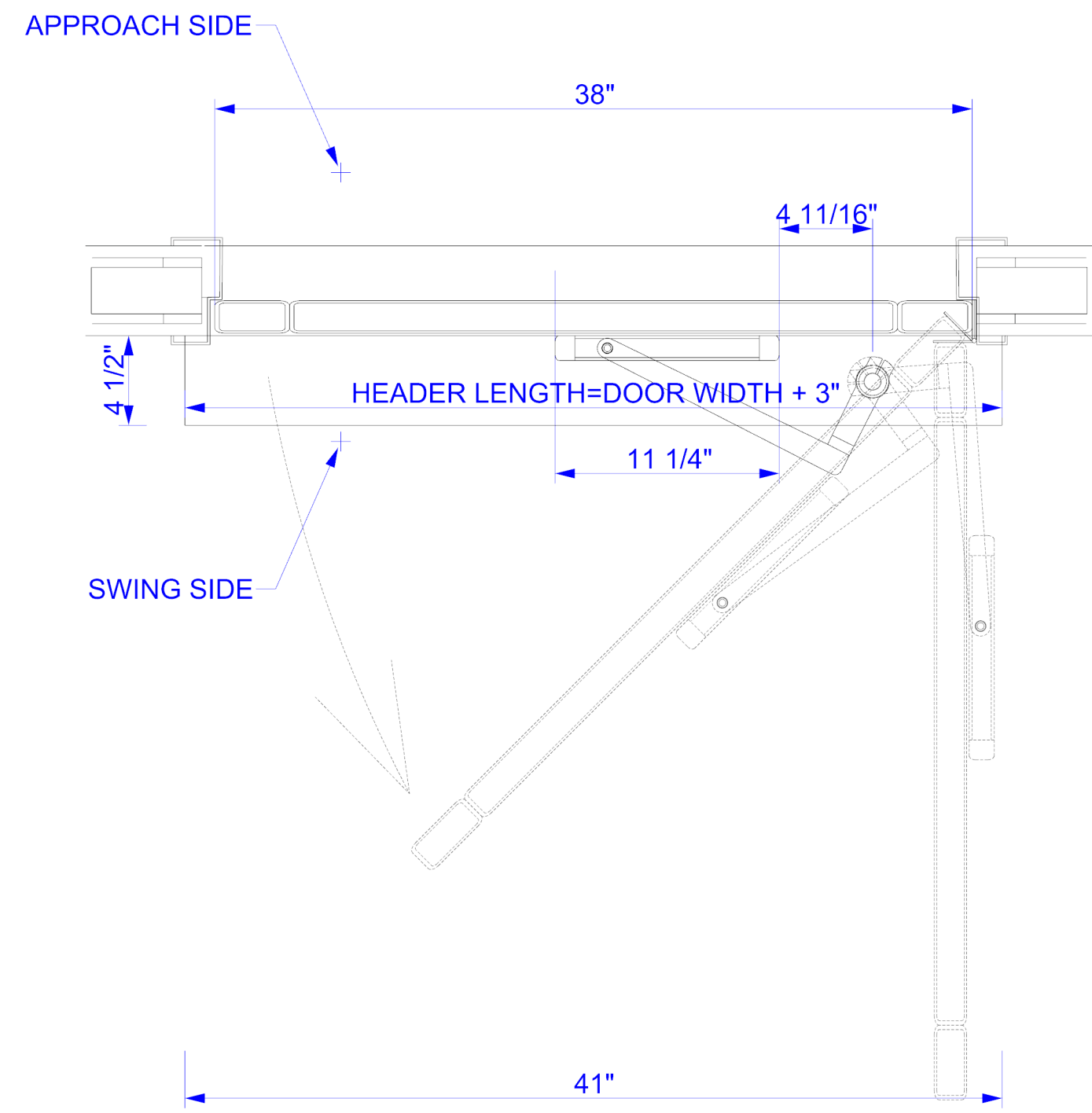
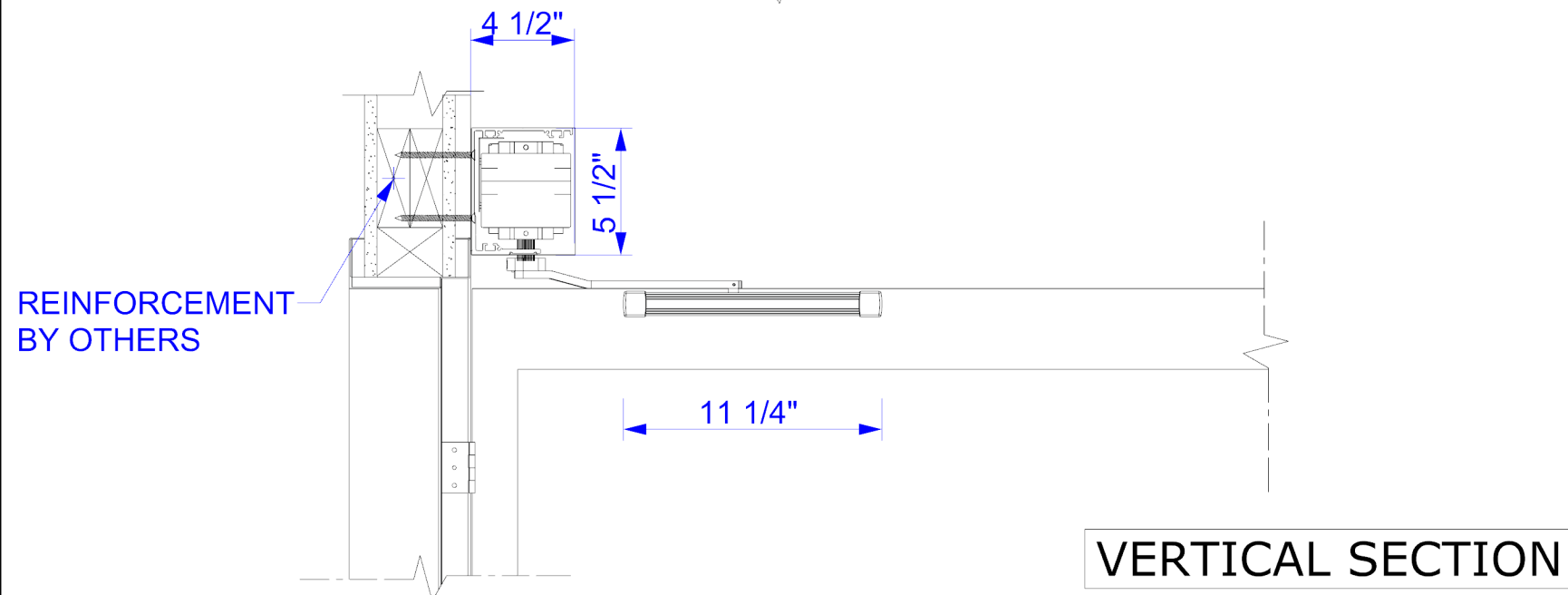


FRONT VIEW



TOP VIEW



VERTICAL SECTION



**MICOM Americas Inc.**  
 240 Viceroy Road, Vaughan, ON  
 L4K 3N9, Toronto, Canada  
 Tel : +1 905 851 8688  
 www.micomamericas.ca

CLIENT :  
 PROJECT :

DRAWING TITLE  
**LEFT HAND PULL**

Notes:  
 ALL DIMENSIONS ARE IN INCH, UNLESS OTHERWISE SPECIFIED.

Architect

REVISIONS				
REV	DATE	DESCRIPTION	CHKD	APP.
03	01.31.18	FOR APPROVAL		
04	02.12.18	FOR APPROVAL		
05	04.16.18	FOR APPROVAL		

SCALE AS NOTED	DATE 04.16.18	DRAWN BY M.K	CHECKED BY	APPROVED BY
-------------------	------------------	-----------------	------------	-------------

SECTION.  
**LHPULL**

SHEET NO.  
**02**